

MUSHROOM HOT HEAD PRESS

AHP-218U

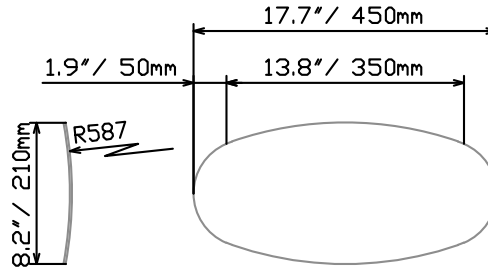
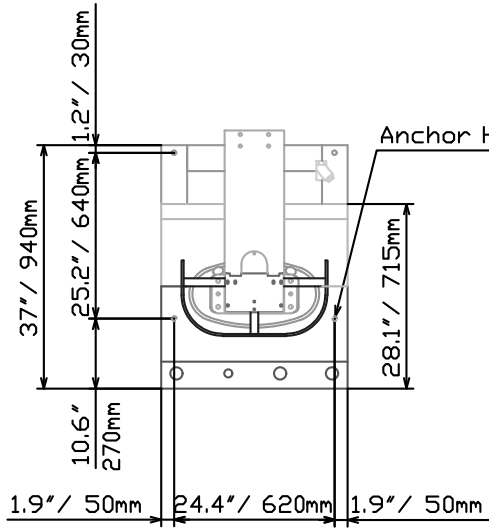
PRODUCT FEATURES



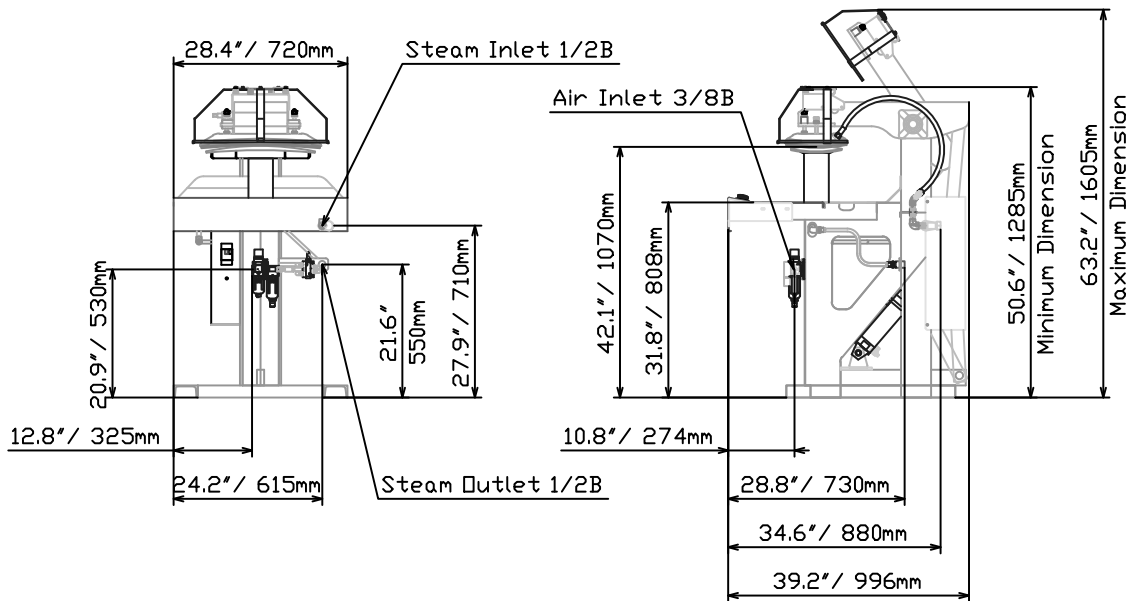
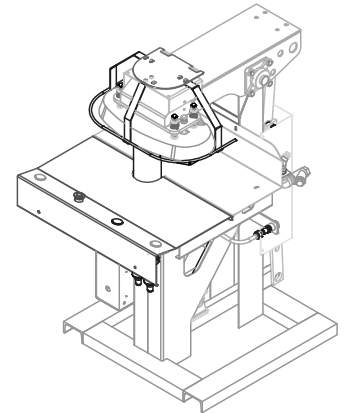
- Sturdy Design
- Flat Table for Easy Garment Flow
- Satin Smooth Press Head Finish
- Built in Safety Features



PRODUCT SPECIFICATIONS



Buck Dimensions



MUSHROOM HOT HEAD PRESS • MODEL AHP-218U			
Power	110-220V Single ph 0.14A	Air Connection	3/8B
Weight	496lb / 2250kg	Steam Connection	Inlet: 1/2B, Outlet 1/2B
Air Consumption	0.18 cfm	Dimension (mm)	720 x 996 x 1605
Steam Consumption	0.5 BHP	(W x D x H) (inch)	28.4" x 39.2" x 63.2"
Air Pressure	73 psi / 0.5 Mpa	Buck Size	17.7" x 8.2"
Steam Pressure	73 psi / 0.5 Mpa		