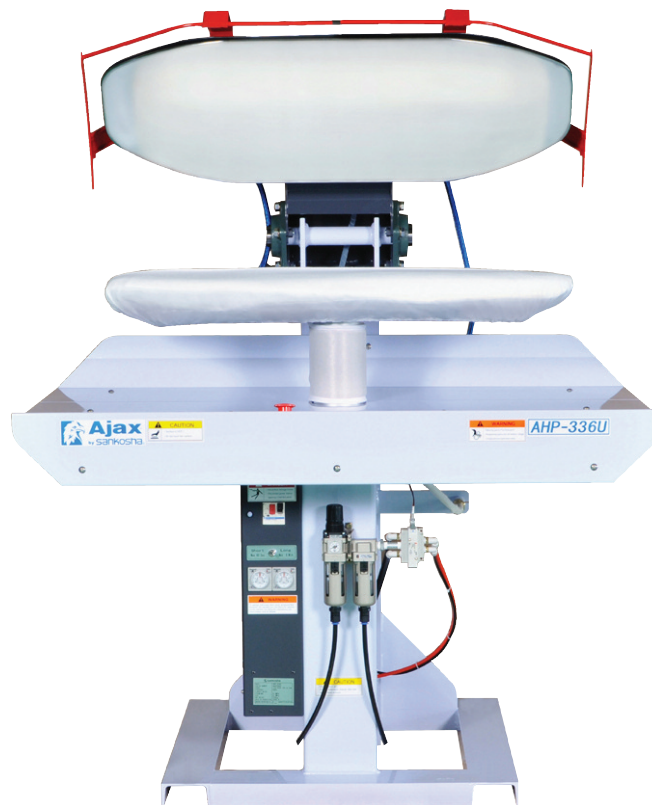


# DOUBLE TOPPER HOT HEAD PRESS

AHP-336U

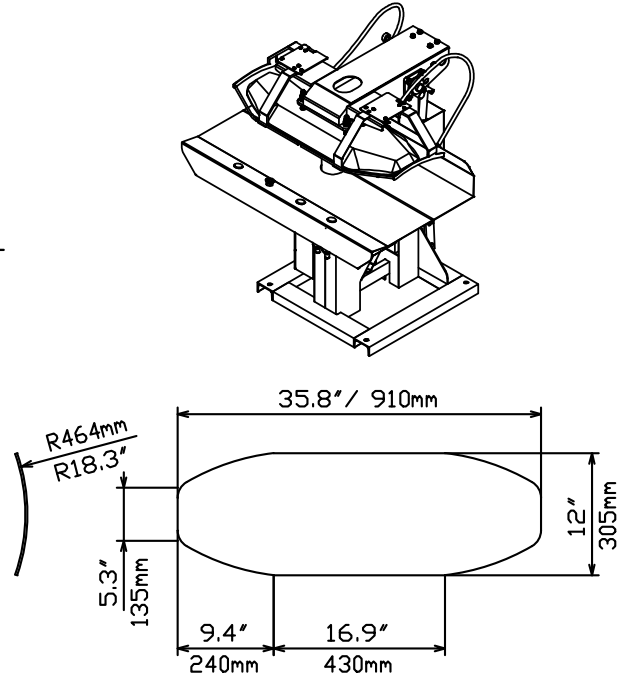
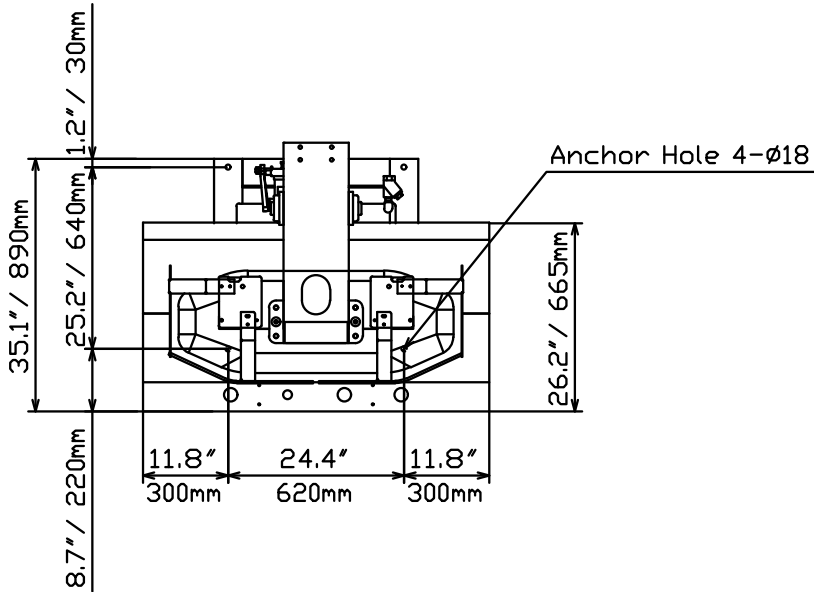
## PRODUCT FEATURES



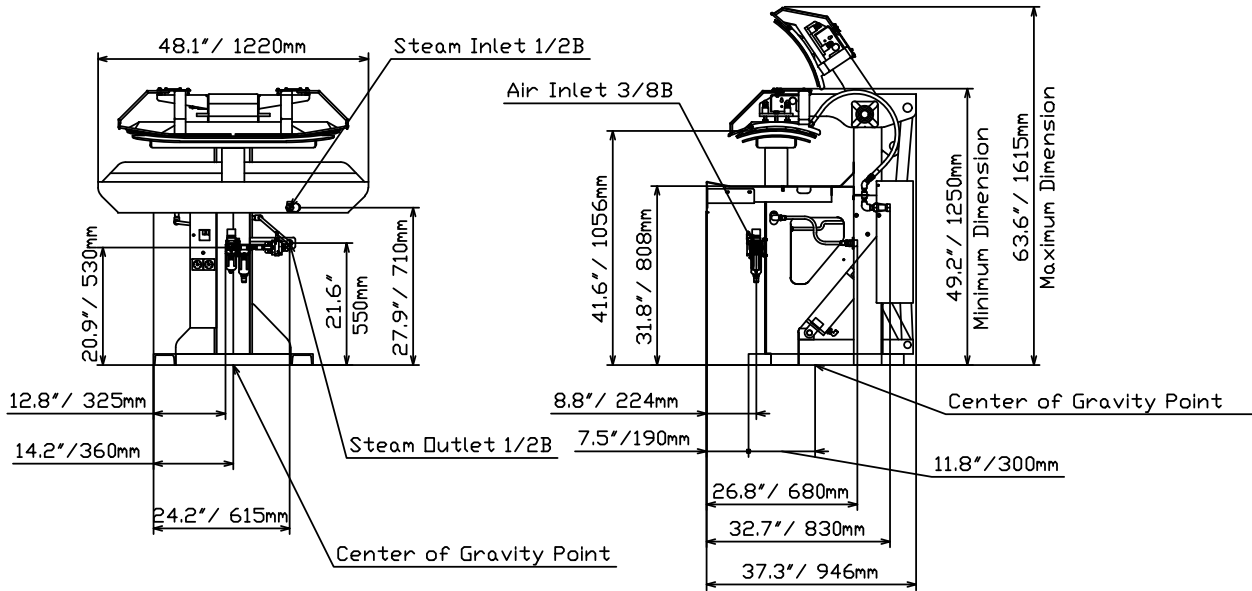
- Sturdy Design
- Flat Table for Easy Garment Flow
- Satin Smooth Press Head Finish
- Built in Safety Features



# PRODUCT SPECIFICATIONS



Buck Dimensions



DOUBLE TOPPER HOT HEAD PRESS • MODEL AHP-336U			
Power	110-220V Single ph 0.14A	Air Connection	3/8B
Weight	595lb / 270kg	Steam Connection	Inlet: 1/2B, Outlet 1/2B
Air Consumption	0.5 cfm	Dimension (mm)	1220 x 946 x 1615
Steam Consumption	1 BHP	(W x D x H) (inch)	48.1" x 37.3" x 63.6"
Air Pressure	73 psi / 0.5 Mpa	Buck Size	35.8" x 12" x 5.3"
Steam Pressure	73 psi / 0.5 Mpa		