

LINEN HOT HEAD PRESS

AHP-654U

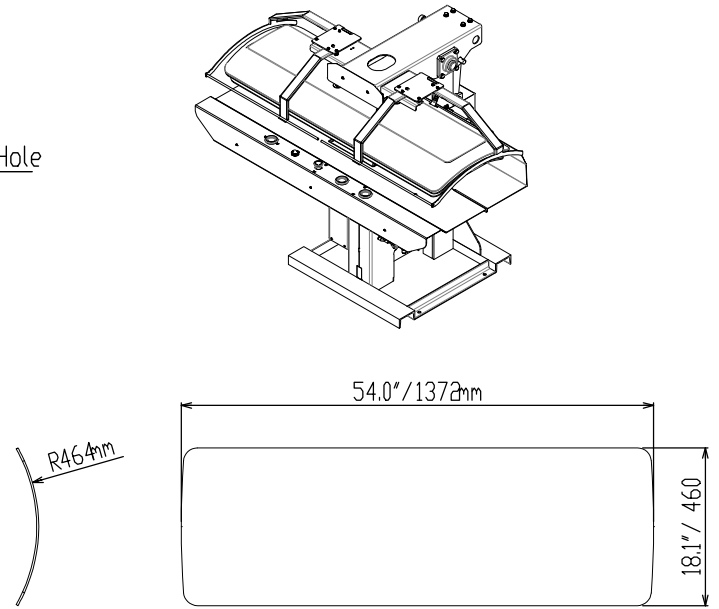
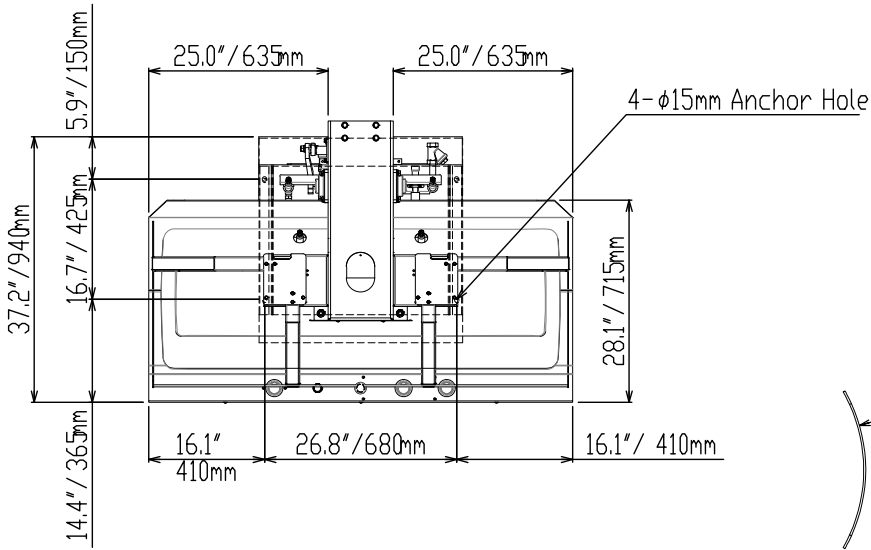
PRODUCT FEATURES



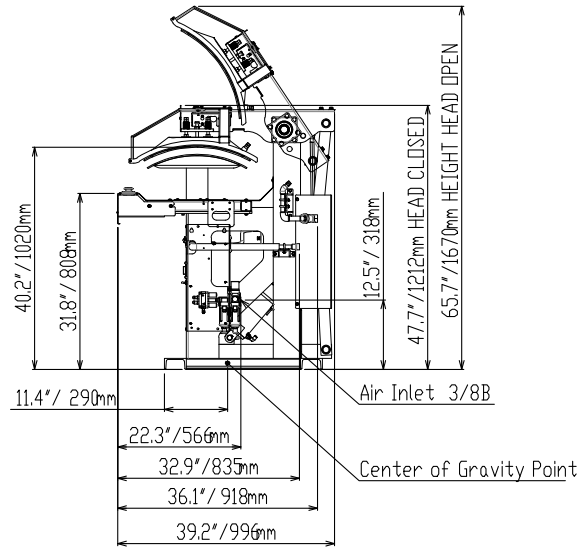
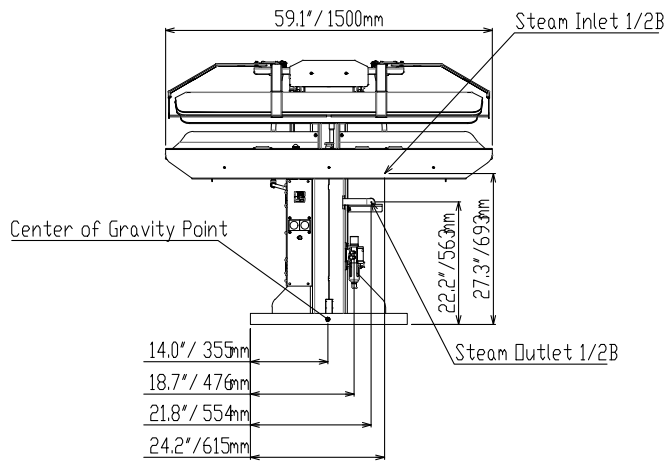
- Sturdy Design
- Flat Table for Easy Garment Flow
- Satin Smooth Press Head Finish
- Built in Safety Features



PRODUCT SPECIFICATIONS



Buck Dimensions



LINER HOT HEAD PRESS • MODEL AHP-654U			
Power	110-220V Single ph 0.14A	Air Connection	3/8B
Weight	792lb / 360kg	Steam Connection	Inlet: 1/2B, Outlet 1/2B
Air Consumption	0.5 cfm	Dimension (mm)	1500 x 996 x 1685
Steam Consumption	2 BHP	(W x D x H) (inch)	59.1" x 39.2" x 66"
Air Pressure	73 psi / 0.5 Mpa	Buck Size	54" x 18"
Steam Pressure	73 psi / 0.5 Mpa		