

TENSIONING PANTS TOPPER

DF-740U

PRODUCT FEATURES

New Inverter Option

Change the blower power by turning a dial providing the correct finishing option for each fabric.

New Steam Injection Design

This newly designed feature distributes more efficient heat throughout the buck.

Tensioning Cuff Function

This improved function in combination with the additional blower power supplies optimal performance.



Radiator Upgrade

With a 50% power improvement, the highest possible productivity can be achieved.

State of the Art Control Panel

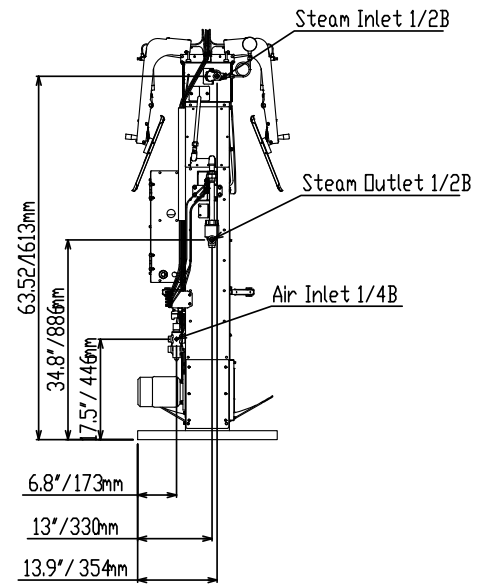
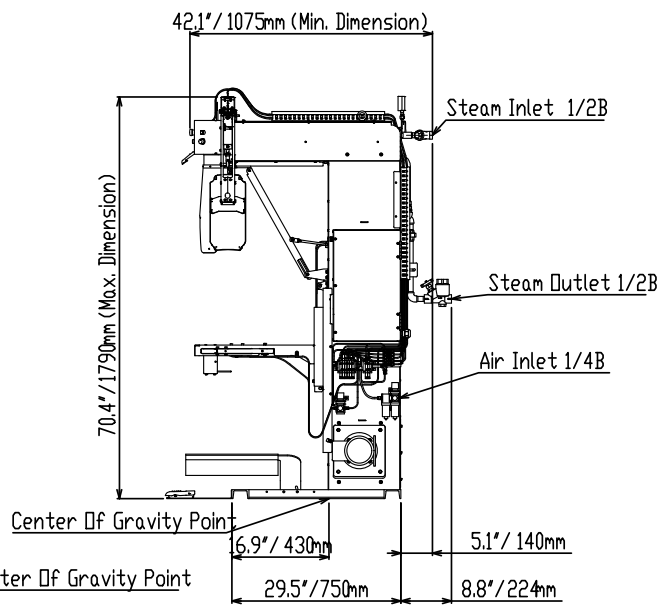
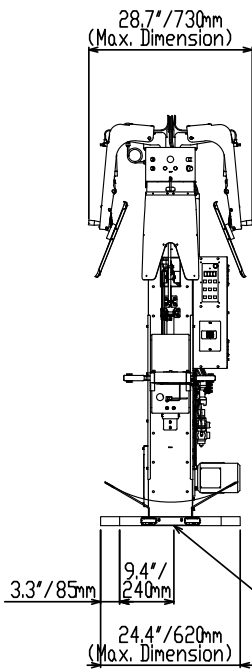
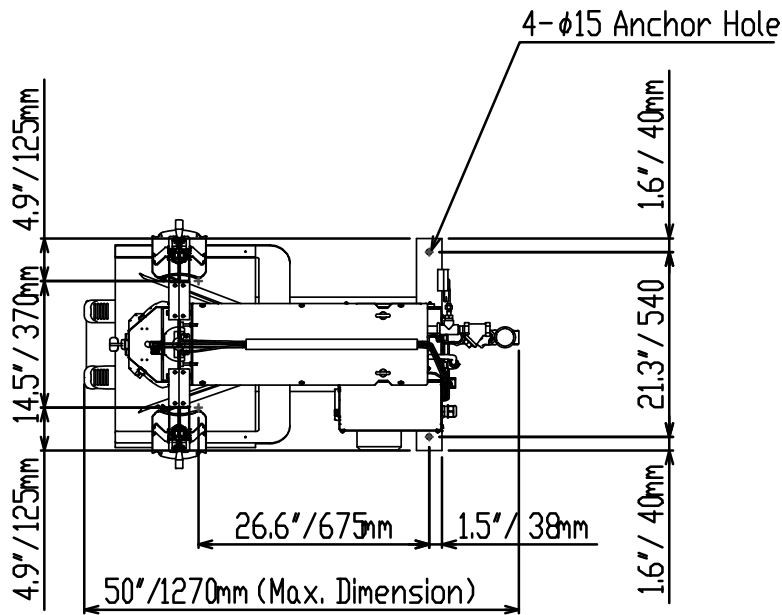
User Friendly—located in one accessible area including a digital timer and a new counter function.

Increased Blower Power

A more powerful blower motor will result in faster drying times.



PRODUCT SPECIFICATIONS



TENSIONING PANTS TOPPER • MODEL DF-740U			
Power	220V 1ph	Steam Pressure	73 psi / 0.5 MPa
Power Consumption	6.0A	Air Connection	1/4B
Weight	298lb / 135kg	Steam Connection	Inlet: 1/2B, Outlet: 1/2B
Air Consumption	0.01 cfm	Noise Level	A Level: 77dB / A Level: 80.3dB
Steam Consumption	2 BHP	Dimension (W x D x H) (inch)	28.7" x 50" x 70 1/2"
Air Pressure	85 psi / 0.6 MPa		