

STEAM CABINET

SKB-1U

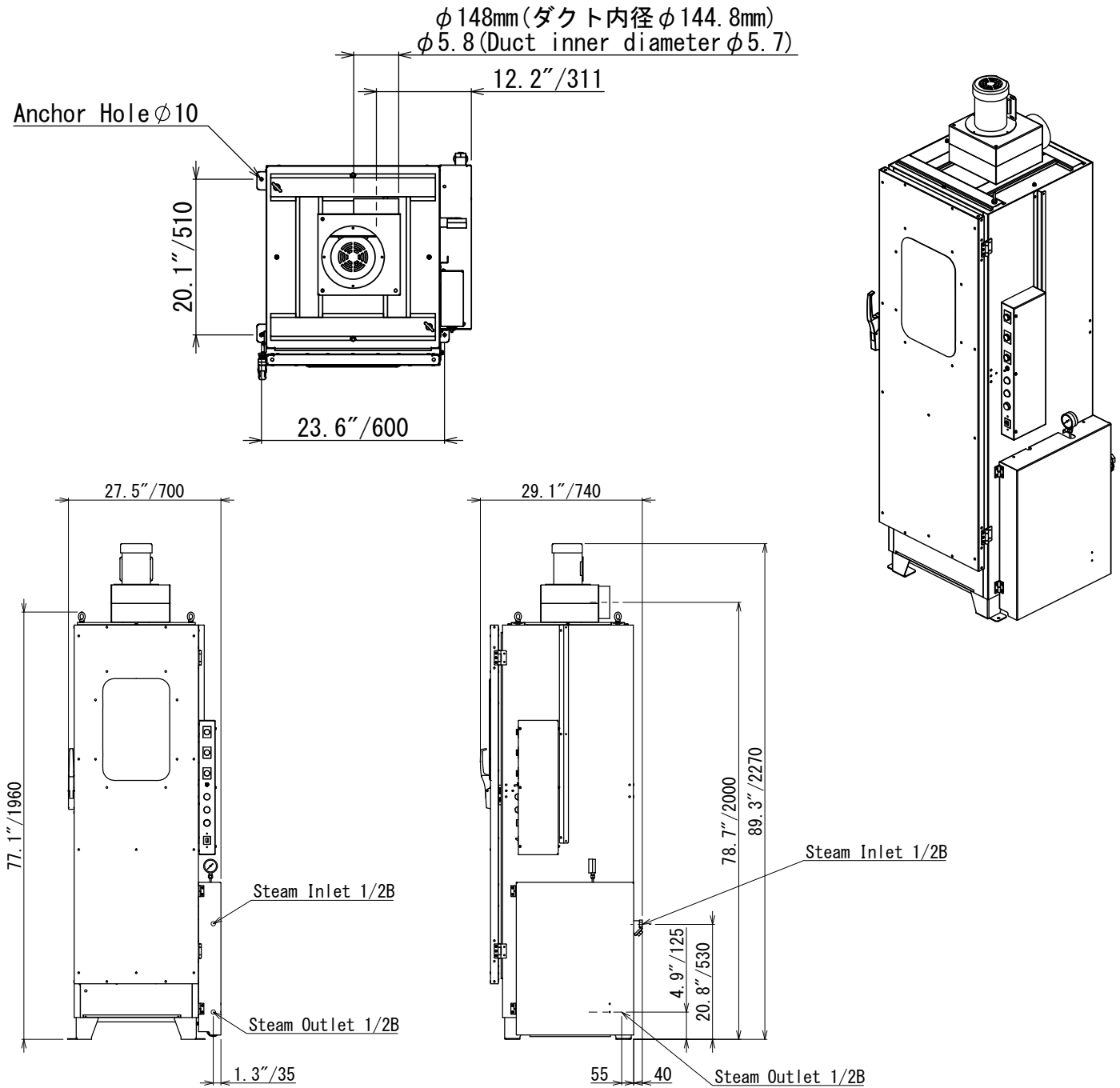
PRODUCT FEATURES



- Dual Steam Results in a High Quality Garment Finish
- Even Steam Saturation from Top to Bottom
- Auto & Manual Modes with the Flip of a Switch



PRODUCT SPECIFICATIONS



STEAM CABINET • MODEL SKB-1			
Power	110V 1ph 3A	Steam Inlet	1/2"
Weight	242 lbs.	Steam Return	1/2"
Steam Consumption	1.5 BHP	Frequency	50 / 60 hz
Steam Pressure	70 psi	Dimension (W x D x H) (inch)	27" x 28" x 90 1/2"